

---

**7312 Pancake Mica Window-Alpha-Beta-Gamma Detector**

---

***GENERAL SPECIFICATIONS***

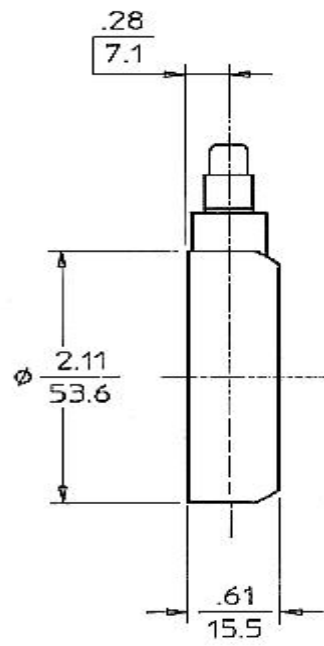
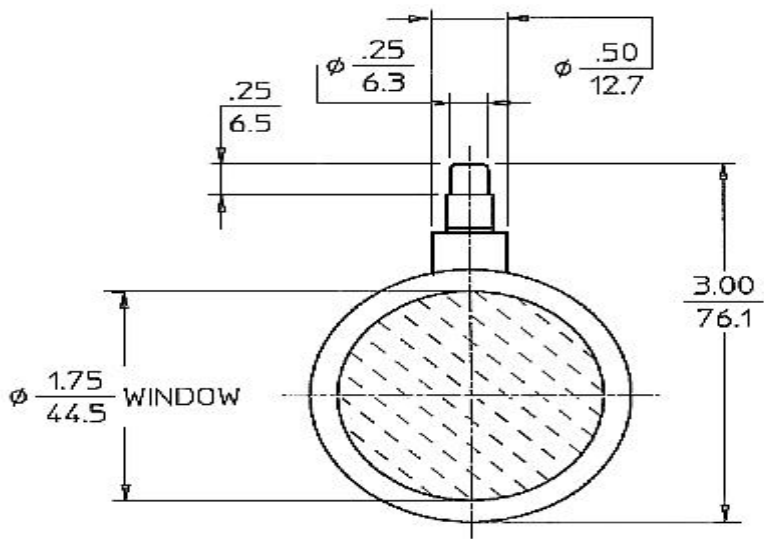
Gas filling	Ne +Halogen
Cathode material	446 Stainless Steel
Maximum length (inch/mm)	3.00/76.1
Effective depth (inch/mm)	0.5/12.7
Maximum diameter (inch/mm)	2.11/53.6
Effective diameter (inch/mm)	1.75/44.5
Connector	Grid Cap
Operating temperature range °C	-40 to +75

***WINDOW SPECIFICATIONS***

Areal density (mg/cm <sup>2</sup> )	1.5-2.0
Effective diameter (inch/mm)	1.75/44.5
Material	Mica

***ELECTRICAL SPECIFICATIONS***

Recommended anode resistor (meg ohm)	4.7
Maximum starting voltage (volts)	425
Recommended operating voltage (volts)	500
Operating voltage range (volts)	475-675
Maximum plateau slope (%/100 volts)	10
Minimum dead time (micro sec)	40
Gamma sensitivity Co60 (cps/mr/hr)	58
Tube capacitance (pf)	3
Weight (grams)	125
Maximum background shielded 50mm Pb + 3mm Al (cpm)	30
Minimum anode resistor (meg ohm)	3.3



GAMMA SENSITIVITY

TUBE TYPE - 7312

