



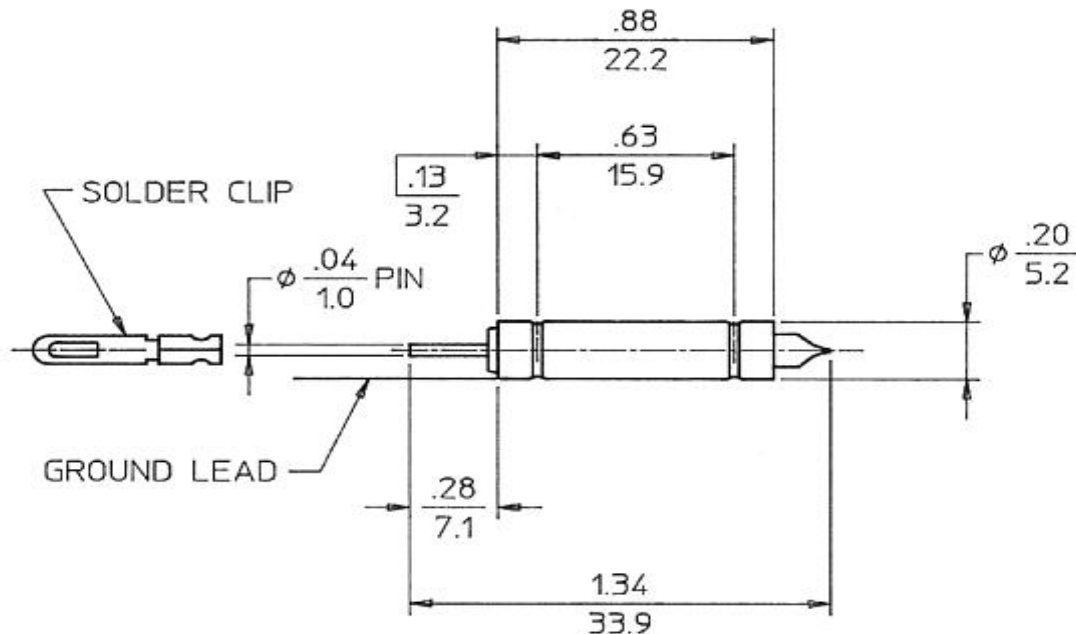
714 Gamma Detector

GENERAL SPECIFICATIONS

Gas filling	Ne +Halogen
Cathode material	446 Stainless Steel
Maximum length (inch/mm)	1.34/33.9
Effective length (inch/mm)	0.63/15.9
Maximum diameter (inch/mm)	0.20/5.2
Connector	Pin
Operating temperature range °C	-10 to +75
Effective diameter (inch/mm)	0.19/4.83

ELECTRICAL SPECIFICATIONS

Recommended anode resistor (meg ohm)	3.3
Maximum starting voltage (volts)	380
Recommended operating voltage (volts)	500
Operating voltage range (volts)	450 - 650
Maximum plateau slope (%/100 volts)	15
Minimum dead time (micro sec)	20
Gamma sensitivity Co60 (cps/mr/hr)	1.5
Tube capacitance (pf)	3
Weight (grams)	0.8
Maximum background shielded 50mm Pb + 3mm Al (cpm)	2
Minimum anode resistor (meg ohm)	2.2



GAMMA SENSITIVITY

TUBE TYPE - 714

